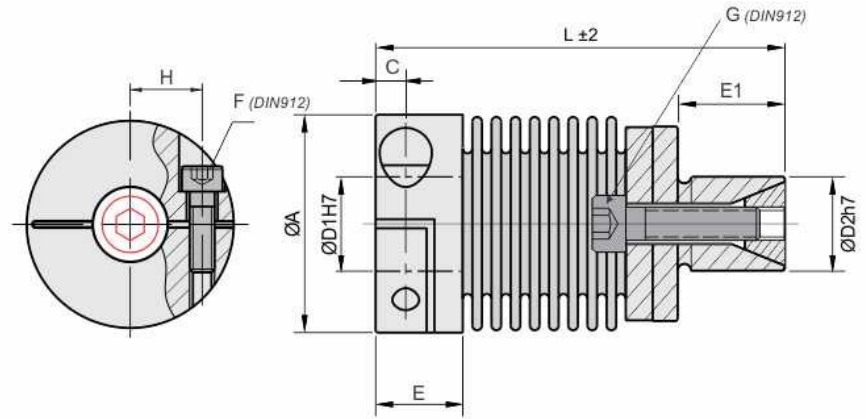


Metal Bellow Coupling

Expandable Hubs (for Hollow Shaft Encoders)



	DIMENSIONS (mm)									TECHNICAL DATA								
	Rated Torque TKN (Nm)	Length (±1) L	Outer Ø A	Bore Range min ~ max (H7) D1	Collet Size Ø (h7) D2	Bolt Center Distance		Hub Length E	Collet Length E1	Screw (DIN 912) TA (Nm) F / G	Mass (g)	Moment of Inertia J (g cm ²)	Spring Stiffness			Misalignment		
						H	C						torsional CT (Nm/rad)	radial CR (N/mm)	axial CA (N/mm)	radial DKr (mm)	axial DKa (mm)	angular DKw (°)
ONX3/5	0.5	28	15.5	3~7	8	5.2	2.5	8	8	M2/M3	12	2.9	260	43	13	0.1	0.2	1
		32									13	3.1	200	18	10	0.15	0.3	1.5
		35									13	3.2	160	9	8	0.2	0.4	2
ONX3/10	1.0	30	15.5	3~8	8	5.2	2.5	8	8	M2/M3	14	3.3	510	74	27	0.1	0.2	1
		34									14	3.4	380	31	20	0.15	0.3	1.5
		38									15	3.6	310	16	16	0.2	0.4	2
ONX3/15	1.5	37	20	3~10	10	7	3	9	12	M2.5/M4	27	11	750	59	15	0.1	0.3	1.5
		41									29	12	700	20	9	0.15	0.4	2
ONX3/20	2.0	40	25	3~14	10	9	3.5	11	12	M3/M4	15	25	1500	67	12	0.15	0.3	1.5
		46									29	29	1300	21	11	0.2	0.4	1.5
		50									32	30	1050	11	9	0.25	0.5	2
ONX3/45	4.5	52	32.5	6~16	14	12	5	14	16	M4/M5	33	98	6500	168	32	0.1	0.3	1.5
		60									61	110	4200	41	20	0.2	0.5	2
ONX3/100	10	61	40.5	6~22	16	15.5	5	14	20	M4/M6	67	235	8100	120	27	0.15	0.4	1.5
		71									106	292	6800	29	17	0.3	0.6	2

ORDER CODE EXAMPLE

ONX 3 / 45	-	50	-	14C	-	12	-
Type / Size		Length (L)		Collet Dia ØD2 (h7)		Bore ØD1 (H7)	Custom Options

Material (Standard):
Bellows - Stainless Steel
Hub - Aluminium
Hub Collet - Steel

Speeds:
max. 15000 min⁻¹

Optional (Custom/Non Standard):
C - Custom size Collet Dia
S - Stainless Steel Hubs

Dimension : unit(mm)

Temperature Range:
-30° to +120°C (3.6F - 250F)